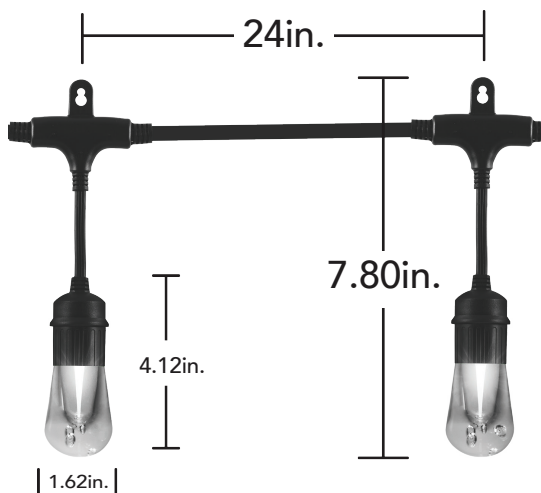


# JascoPro RGBW Wi-Fi Vintage Café Lights, 48ft., 24 Bulbs

# JASCO PRO™



## Specifications

**Length of fixture:** 48ft. **Nominal wattage:** 19 **CRI:** 80

**Voltage:** 120 **Hertz:** 50/60 **CCT:** 2200K - 6000K

**Max linkable:** 750ft. **Lifetime:** 30,000 hours

**Signal Frequency:** 2.4GHz

**Operating Temperature Range:** -4 - 122° F (-20 - 50° C)

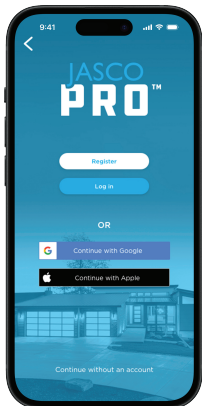
**Warranty:** Limited-lifetime warranty

## Design Features

- 24 commercial-grade, impact resistant acrylic Edison-style bulbs won't break if dropped, stepped on or blown around in the wind
- Weatherproof – heavy-duty 18/3 SJTW cord withstands up to 122°F outdoor temperature for year-round use.
- Free JascoPro app – no hub required
- Wi-Fi or Bluetooth setup and control
- Manual control button for manual operation
- Mobile or voice control – works with Amazon Alexa and Google Assistant
- Endless color combinations — choose from single colors, custom combinations and unique preset modes
- Selectable white – 2200K, 2700K, 3000K, 4000K, 5000K, 6000K
- Dimmable – full-range dimming
- Unique lighting effects
- Custom automations and schedules
- Flexible mounting options
- Linkable up to 750 feet – end-to-end connections; link sets to achieve the perfect length for any installation
- ETL listed, FCC certified

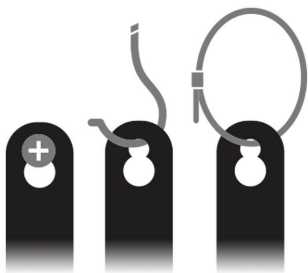
## Additional Installation Information

- When installing Café Lights outside, a ground fault circuit interrupter (GFCI) receptacle should be used
- Only mount Café Lights to a solid support structure, such as joists, beams or studs
- Guy wires in compliance with local electrical and building codes may also be used to support Café Lights
- When finished mounting, place the female receptacle cover firmly over the unused outlet and plug the male plug into the GFCI receptacle



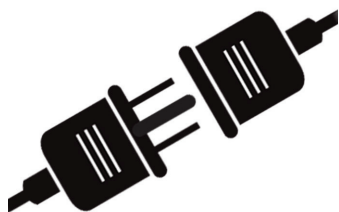
## EASY APP CONTROL

Download the free JascoPro app to control your devices from anywhere.



## EASY INSTALLATION AND FLEXIBLE MOUNTING OPTIONS

Mount on eaves, pergolas, patios, decks and more (hardware not included).



## CONNECT MULTIPLE STRINGS

Heavy-duty, grounded cord plugs into any standard outlet. Link Café Lights up to 750 feet.

### Certifications & Compliances



Compliances, specifications and availability are subject to change without notice.

Distributed by Jasco Products Company LLC, 10 E. Memorial Rd., Oklahoma City, OK 73114.

This Jasco product has a limited-lifetime warranty. Visit [www.byjasco.com](http://www.byjasco.com) for warranty details.

Questions? Contact our U.S.-based Consumer Care at 1-833-981-0170, M-F.

©Jasco 2026