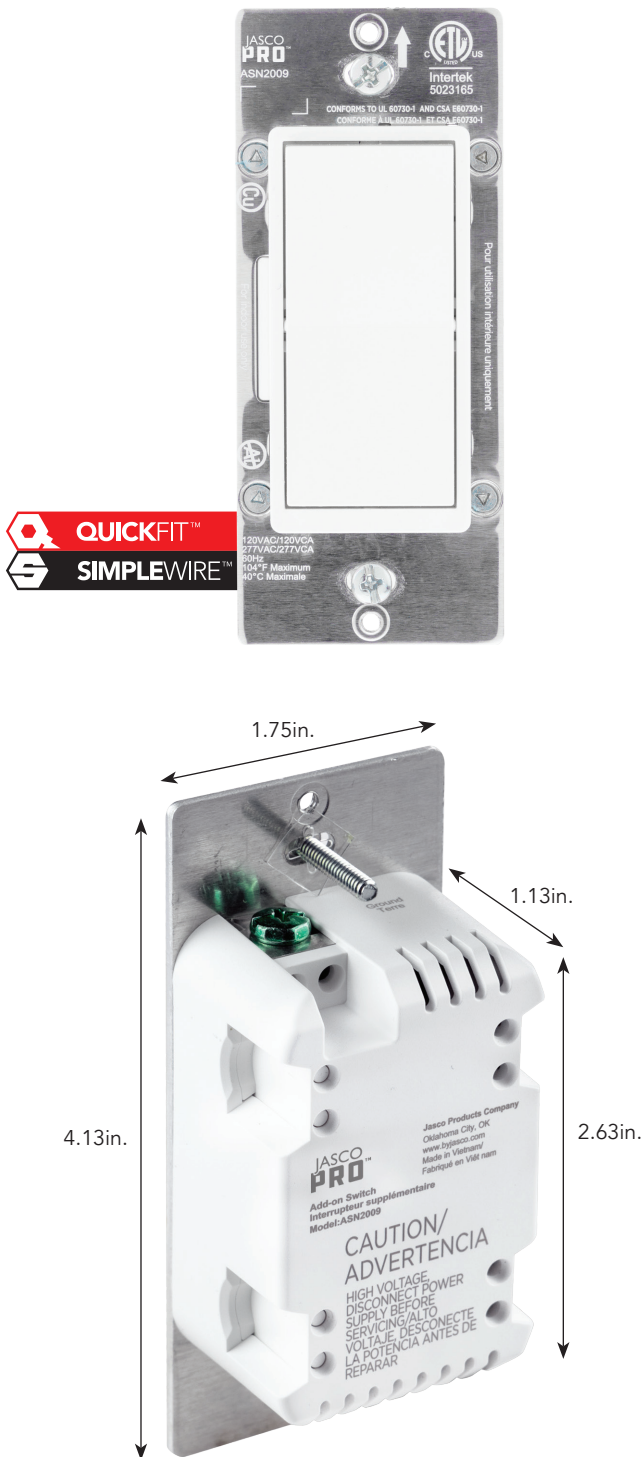


JascoPro In-Wall Add-on Switch, Rocker

JASCO PRO™



Specifications

Power: 120/277VAC, 60Hz

Operating Temperature: 32-104° F (0-40° C)

Warranty: 5-year limited product warranty

Requires a JascoPro smart control. Not a stand-alone switch
Switch must be mounted indoors

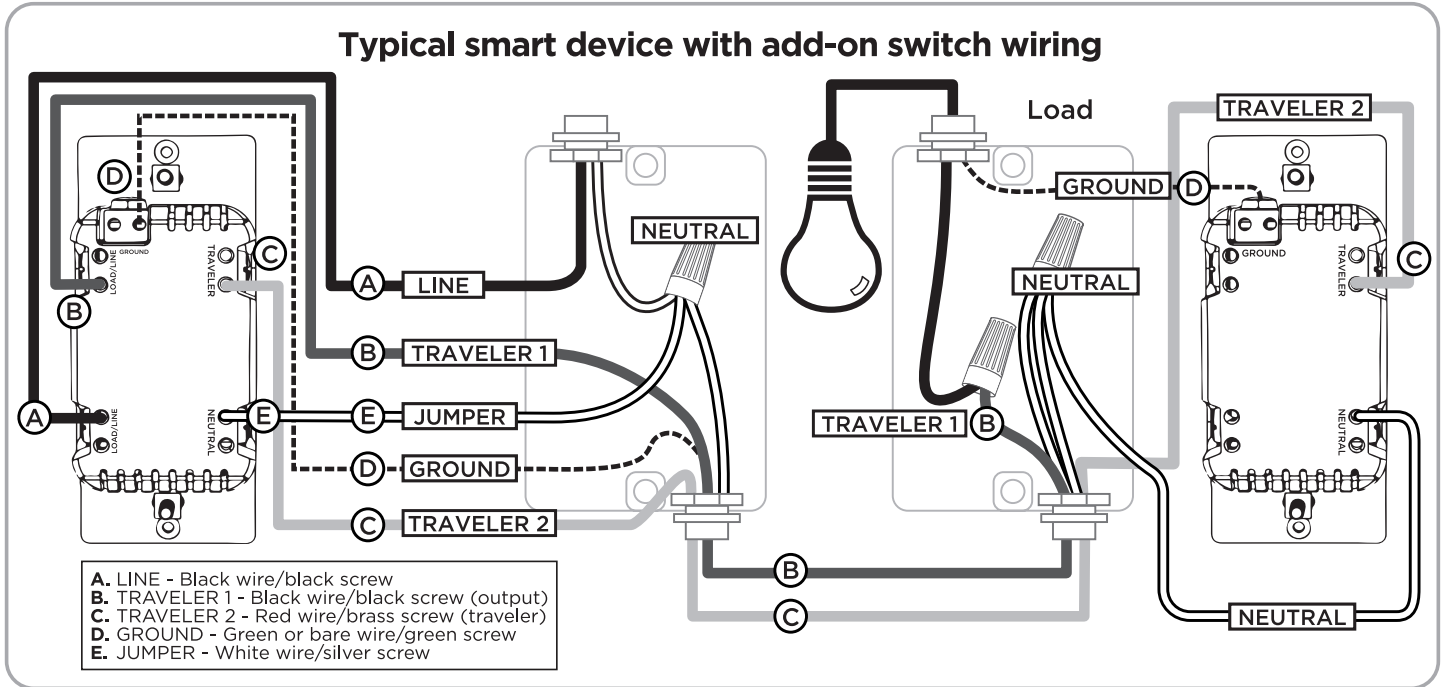
Design Features

- For use in 3-, 4-, 5- or 6-way configurations with JascoPro Wi-Fi, Z-Wave or Zigbee in-wall devices
- Requires wiring connections neutral, traveler and ground
- QuickFit – improved components reduce the housing depth by up to 20% compared to previous models and eliminated the need for heat tabs
- SimpleWire – dual ground ports support daisy-chaining in multi-switch setups
- Connect up to four add-on switches to primary switch
- Maximum traveler wire distance: 300ft. interconnected between four add-on switches
- No more than 75ft. between each switch
- Maximum traveler wire distance between primary and one add-on switch: 200ft.
- Interchangeable rocker switch – white and light almond paddles included
- Uses a standard rocker wallplate – not included

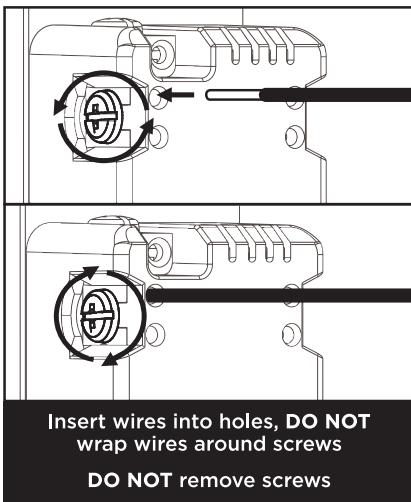
Installation Recommendations

- Insert wire into port and tighten screw – do not wrap wire around screw
- Indoor use only
- Wallplates sold separately
- Trilingual instruction manual – English, French, Spanish

Multi-Location Wiring



Space-Saving Screw Terminals



Certifications & Compliances



Compliances, specifications and availability are subject to change without notice.
 Distributed by Jasco Products Company LLC
 10 E. Memorial Rd., Oklahoma City, OK 73114.

Questions? Contact our U.S.-based dedicated support at 1-833-981-0170, M-F.

©Jasco 2025

Related Products - JascoPro In-Wall Smart Controls



81919
In-Wall Smart Switch



81914
In-Wall Smart Scene Switch



65462
In-Wall Smart Outlet



79244
Plug-in Smart Switch



Scan to see full line of products or visit jascopro.com