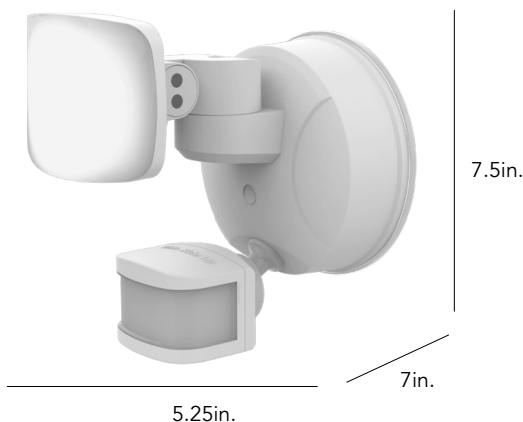
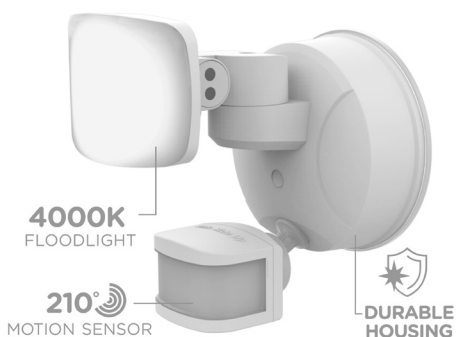


JascoPro™ Series Wi-Fi Smart Security Light, One Head



Specifications

Power: 120VAC **Hertz:** 60 **Electrical load:** 14W

Wi-Fi signal: 2.4GHz required

Operating modes: Test, motion, manual & schedule

Flood Light

Lumens: 1471.3 **Color temperature:** Cool white (4000K)

Sensing angle: Up to 210° **Range:** High, medium, low — adjustable up to 70ft. **Dimming:** 10%-100% with JascoPro Series app

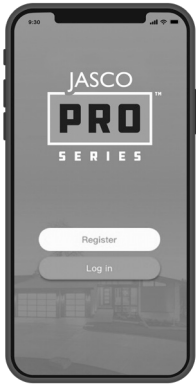
Warranty: 5-year limited warranty

Design Features

- Features motion-sensing activation, scheduling, dimming and more to keep your home safely lit – all using the free JascoPro Series app
- All-weather IP65 rated – designed for permanent installation and to withstand year-round exposure to the elements
- Free JascoPro Series app – no hub required
- 2.4GHz Wi-Fi connection required – dual- and tri-band router compatible
- Wi-Fi or Bluetooth setup and control
- Built-in control button for manual operation
- Mobile or voice control – works with Amazon Alexa and Hey Google
- Wall or eave mounting options
- All mounting hardware included
- Up to 1471 lumens of light
- Adjustable sensitivity – 210° motion-detection area with adjustable sensitivity up to 70ft.
- Dimmable – full-range dimming through app
- Schedules and automations
- Geofencing – automate lights as you come and go
- Linkable – link to other compatible JascoPro Series Wi-Fi products
- Multi-position flexible head
- Easy wiring with push-in connectors

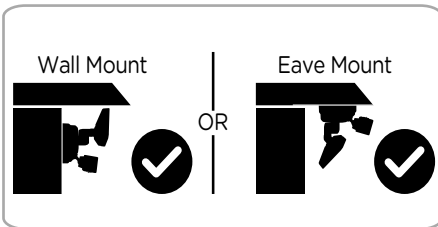
Additional Installation Information

- Before adjustments are made in the app, the floodlight automatically activates when motion is detected in low-light conditions. To override these default settings, use the app to activate preset timers, create custom schedules and more.



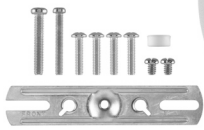
EASY APP CONTROL

Download the free JascoPro™ Series app to control your devices from anywhere.



EASY INSTALLATION AND FLEXIBLE MOUNTING OPTIONS

ALL
HARDWARE
INCLUDED



ALL MOUNTING HARDWARE INCLUDED IN THE BOX

Certifications & Compliances



Compliances, specifications and availability are subject to change without notice

Distributed by Jasco Products Company LLC
10 E. Memorial Rd., Oklahoma City, OK

Questions? Contact our U.S.-based Consumer Care at
1-800-654-8483 between 7AM-8PM, M-F, Central Time.

©Jasco 2022