

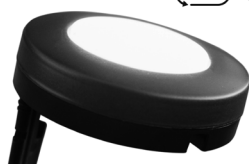
# JascoPro™ Series Color-Changing Landscape Lights, 6 pucks, 50ft



**MULTIPLE MOUNTING OPTIONS**  
Mount lights facing up, down or stake into the ground

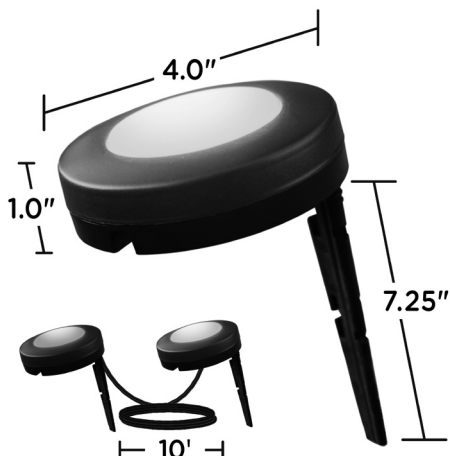


**WEATHER PROOF**  
Commercial grade and UL-rated  
for permanent outdoor installation



**5000K** | **2700K** | **2200K**  
DAYLIGHT | SOFT WHITE | WARM WHITE

**120V** | **LED** | **4WATT**  
PER LIGHT



## Specifications

**Length of fixture:** 50' **Lumens:** 150 per foot

**Voltage:** 120 **Hertz:** 60 **CRI:** 83

**Nominal wattage:** 26 **CCT:** 2200K

**Lifetime:** 50,000 hours

**Warranty:** 3-year limited warranty

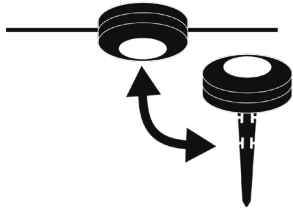
## Design Features

- **Color Changes Everything** – Showcasing 16 different colors that you can either pick your favorite from, or mix and match any two-color pairings for over 120 possible combinations and effects for your garden, holidays and so much more
- **Flexible Aesthetic** – For a more traditional option, choose between dimmable warm white (2200K), soft white (2700K) and daylight (5000K) modes with 10-level dimming to create the perfect ambiance for your landscape
- **Easy Installation** – Everything you need is already in the box, choose the option that is best suited for your style and plug in – simply place on the ground using the included stake system, or mounted via keyholes
- **Durability with Style** – Six durable oil-rubbed bronze metal puck light fixtures illuminate up to a 50-foot area

## Installation Recommendations

- Give your yard a colorful makeover with JascoPro™ Series LED Color-Changing Landscape Lights. These landscape lights will keep your outdoor space looking bright and colorful all year round, and you'll never need to replace a bulb. A wireless remote is included to conveniently change your lighting scheme with the touch of a button. Featuring 6 commercial grade bronze metal puck light fixtures on a 50-foot wire (with 22-foot lead), these landscape lights are perfect for decks, patios, pathways and more – find a style for every season!

## MULTIPLE MOUNTING OPTIONS FOR UP OR DOWN LIGHTING



Mount lights facing up, down or stake into the ground

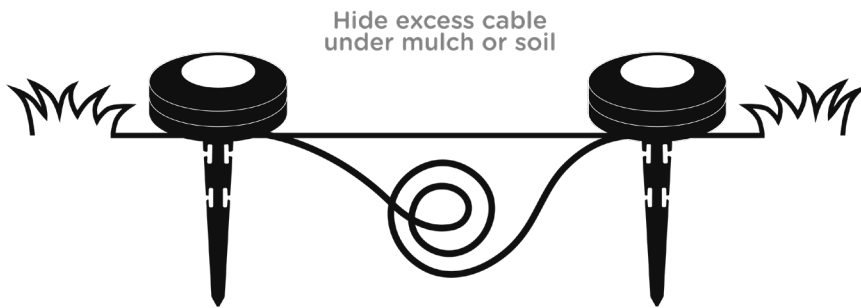


Stake as path or spotlights



Burial-grade cable

**\*FLEXIBLE SPACING UP TO 10 FEET**



STAKES INCLUDED

### Certifications & Compliances



Compliances, specifications and availability are subject to change without notice.

Distributed by Jasco Products Company LLC  
10 E. Memorial Rd., Oklahoma City, OK

Questions? Contact our U.S.-based Consumer Care at  
1-800-654-8483 between 7AM-8PM, M-F, Central Time.

©Jasco 2022